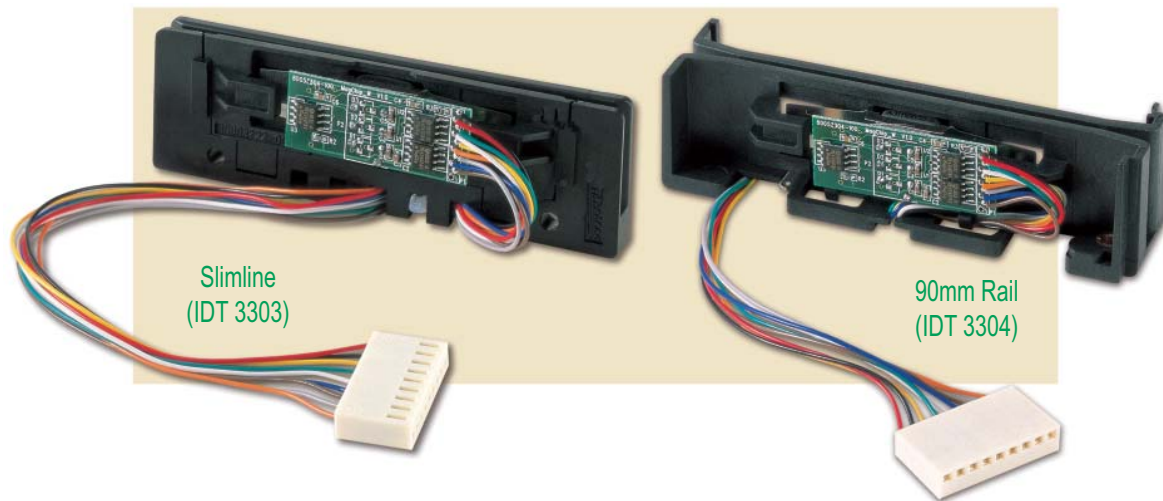


# SLIMLINE™

OEM Reader Module  
For Magnetic Stripes

# 90MM RAIL

OEM Reader Module  
For Magnetic Stripes



## The Slimline keeps a low profile.

The Slimline magnetic stripe reader is designed for POS and portable terminal applications where space is at an absolute premium. The rail itself is just a quarter of an inch wide—ideal for mounting on the side of a keyboard or other narrow surface. Two countersunk holes are provided for easy mounting, and the accompanying electronics are attached right to the magnetic “read” head for maximum flexibility.

## Reliably reads magnetic stripes.

Using ID TECH's low-power MagChip™ technology, the Slimline reads up to three tracks of data with a single swipe in either direction. Its standard-length slot makes it easy to use, with less than one error in 100,000 bits. One, two, or three-track electronics fit onto the same head-and-chip assembly. Field proven to reliably read jitter, low amplitude, and drop-out cards at 3 to 60 ips. Auto Gain Control (AGC) makes the MagChip™ technology the most reliable reader for High Coercivity cards.

## Heavy-duty, versatile.

The Slimline is designed with a stainless steel wear surface to ensure long life and accurate registration. The magnetic head assembly is mounted on a wing spring that provides support, deflection, and gimble to accommodate bowed or warped cards. Its molded plastic body has a finished side that enables it to be mounted on an inside or outside surface, as well as in a cover and base.

## The 90mm Rail offers same functionality as the Slimline.

The 90mm Rail delivers the same reliability and durability as the Slimline reader in a slightly wider package. The MagChip “read” head assembly provides excellent data jitter, media glitch, and drop-out immunity. Molded of rugged ABS plastic, with a stainless steel wear-plate, it is warranted for a minimum of 1,000,000 card passes. JIS compatible 90mm readers are available.

## Drop-in replaceability for most POS readers.

With its standard length and variable width, the 90mm Rail is designed to retrofit over 80% of the rails in the POS market today. Two standard models (one slightly narrower than the other) and different mounting hole patterns (variable positions available with threaded inserts) make the module a drop-in replacement for such manufacturers as Panasonic, KDE, Omron, Neuron, STET, and MagTek.

**IDTECH®**  
Value through Innovation

# IDT 3303/04 OEM Reader Module Specifications

## Electrical

### Magnetic:

Operation from 2.7 to 5.5 VDC. Ground 0 VDC (GND).

Chassis Ground connected to GND and magnetic head case.

True Automatic Gain Control (AGC) handles signal amplitudes from 1 mV to 1 V peak-to-peak.

1.1mA per track maximum when reading a card. Less than 30  $\mu$ A when in "sleep" mode (15  $\mu$ A typical).

### Operating Current:

### Communication:

TTL levels CMOS level outputs of decoded serial bits.

## Environmental

### Operating Temperature:

-40° F to 158° F (-35° C to 75° C). \*

### Storage Temperature:

-40° F to 185° F (-40° C to 85° C).

### Humidity:

10% to 98% relative humidity, non-condensing.

### ESD:

$\pm$  2000 V Electro-Static Discharge (ESD) protection.

\* Does not include ice build-up on magnetic head; requires conformal coating if condensation occurs.

## Reliability

### Magnetic Head Life:

1,000,000 card cycles.

### Rail Life:

1,000,000 card cycles.

### Read Rate:

Less than one error in 100,000 bits on cards conforming to ISO 7811 1-5 (not induced by operator error).

## Mechanical

### Standard Decoding Densities:

Tracks 1 and 3: 210 BPI.

Track 2: 75 or 210 BPI.

### Swipe Speed:

3 to 60 inches per second, bi-directional.

### Card Thickness:

.01 to .045 inches.

### Slot Width:

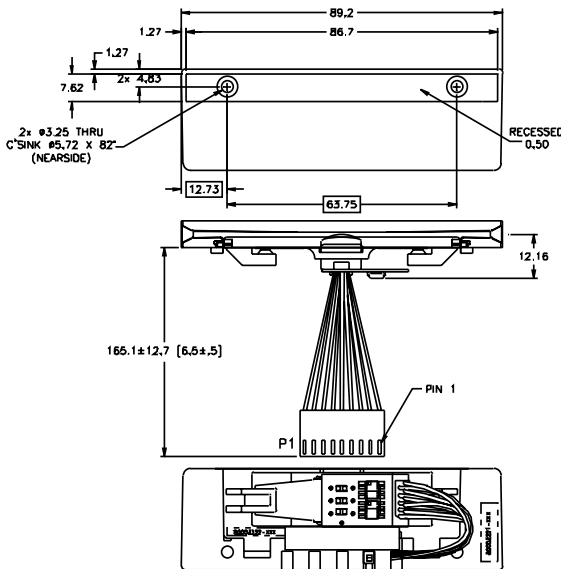
.050 (1.27mm).

### Dimensions:

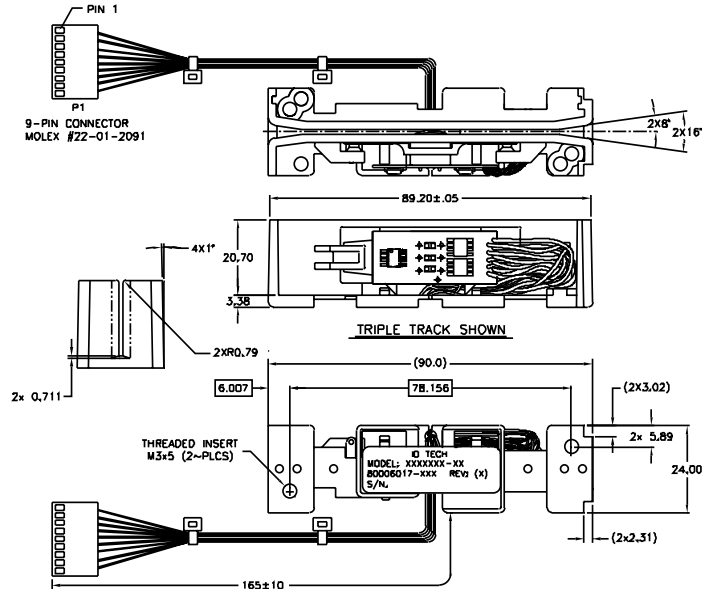
**Slimline Rail:** Length: 3.54 inches (90mm). Width: 0.63 inches (16 mm). Height: 1.10 inches (28 mm).

**90mm Rail:** Length: 3.54 inches (90mm). Width: 0.94 inch (24 mm). Height: 0.94 inch (24mm).

### Slimline

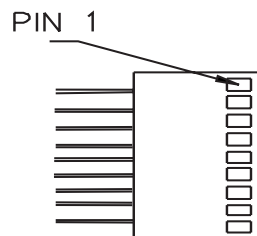


### 90mm Rail



### Connector Pinout

PIN	Description
1	+5V
2	Ground
3	Data Track 2
4	Clock Track 2
5	Card Present
6	Clock Track 1
7	Data Track 1
8	Clock Track 3
9	Data Track 3



# IDTECH®

Value through Innovation

10721 Walker Street

Cypress, California 90630

(714) 761-6368 Fax: (714) 761-8880

visit us at [www.id-tech.net](http://www.id-tech.net)